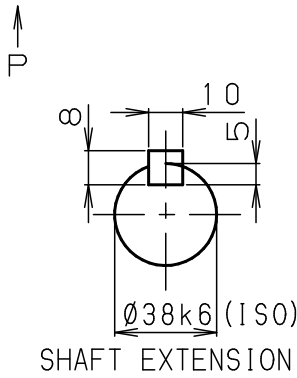
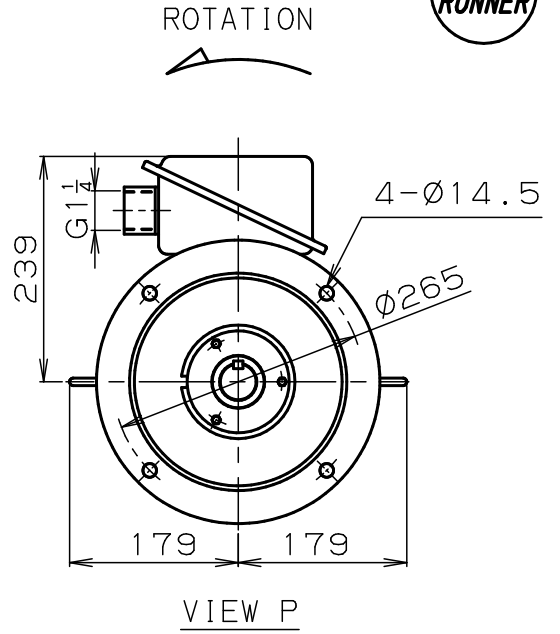
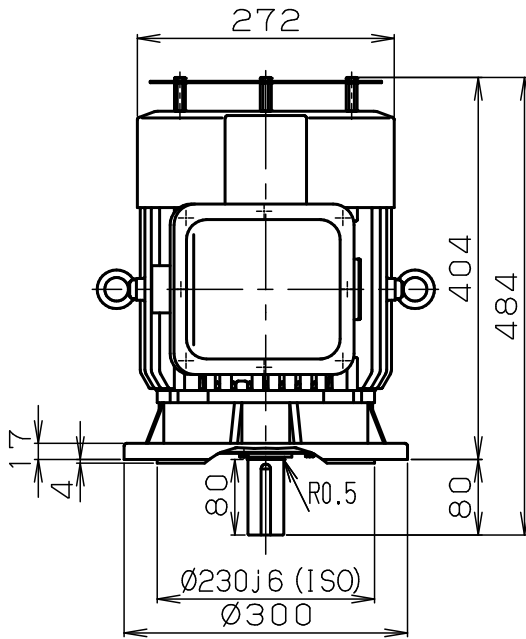


INDUCTION MOTOR (OUTDOOR USE)

RoHS



HIGH VOLTAGE		CONNECTION	LOW VOLTAGE	
STARTING	RUNNING		STARTING	RUNNING
 R S T U ₁ V ₁ W ₁ U ₂ V ₂ W ₂ U ₅ V ₅ W ₅ V ₆ -W ₆ -U ₆	 R S T U ₁ V ₁ W ₁ U ₂ V ₂ W ₂ U ₅ V ₅ W ₅ V ₆ W ₆ U ₆	 V ₁ W ₆ V ₂ W ₅ V ₅ W ₂ U ₁ W ₂ U ₅ U ₆	 R S T U ₁ V ₁ W ₁ U ₅ V ₅ W ₅ V ₂ -W ₂ -U ₂ V ₆ W ₆ U ₆	 R S T U ₁ V ₁ W ₁ U ₅ V ₅ W ₅ V ₂ W ₂ U ₂ V ₆ W ₆ U ₆

DIMENSIONS IN mm

MLU1133D	132S	2	3	7.5kW	200-400/200-400 220-440	50/60	2940/3525 3540
TYPE	FRAME	POLES	PH	OUTPUT	VOLT	Hz	min ⁻¹
26.5-13/26.5-13 24 -12	S1	155 (F)	マンセル N1.2	IP55	JISC4213	IC411	
A M P	RATING	INSUL	COLOR	PROTECTION	RULE	COOLING	
90.3/90.2 90.4%	IE3/IE3 IE3	FF265			D-END	6308ZZ	
E F F	IE CODE	FLANGE			N-END	6207ZZ	
					BEARING		

CUSTOMER : _____

VIA : _____

APPLICATION : _____

W. OD. _____

ORDER NO. _____

W. NO. Y0209

	DATE	NAME	APPROVED	
DRAWN				
CHECKED				

DWG. NO	YH548211	
---------	----------	--

Fuji Electric Co., Ltd.