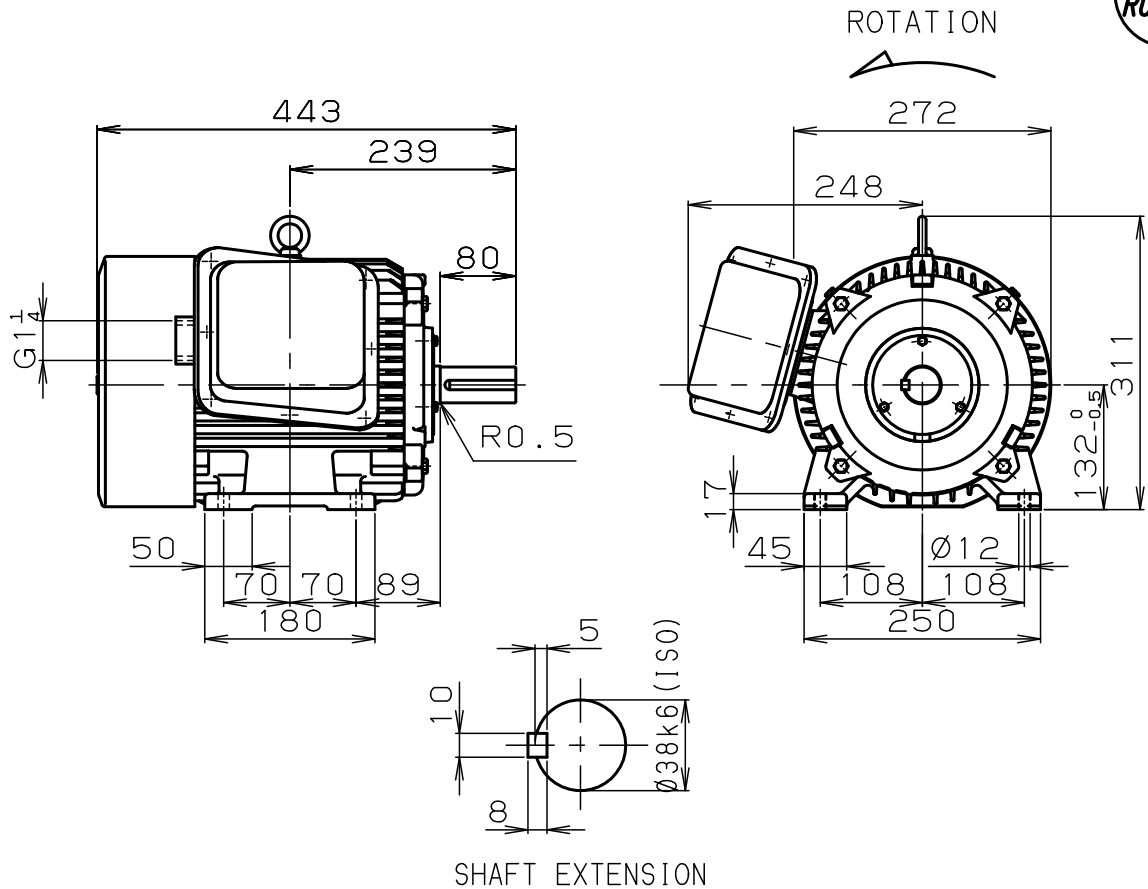


INDUCTION MOTOR (OUTDOOR USE)

RoHS

TOP
RUNNER



DIMENSIONS IN mm

HIGH VOLTAGE		CONNECTION	LOW VOLTAGE	
STARTING	RUNNING		STARTING	RUNNING
R S T U ₁ V ₁ W ₁ U ₂ V ₂ W ₂ U ₅ V ₅ W ₅ V ₆ -W ₆ -U ₆	R S T U ₁ V ₁ W ₁ U ₅ V ₅ W ₅ V ₂ W ₂ U ₂ V ₅ W ₅ U ₅		R S T U ₁ V ₁ W ₁ U ₅ V ₅ W ₅ V ₂ -W ₂ -U ₂ V ₆ W ₆ U ₆	R S T U ₁ V ₁ W ₁ U ₅ V ₅ W ₅ V ₂ W ₂ U ₂ V ₆ W ₆ U ₆

MLU1132B	132S	2	3	5.5kW	200-400/200-400 220-440	50/60	2935/3525 3540
TYPE	FRAME	POLES	PH	OUTPUT	VOLT	Hz	min ⁻¹
20-10/19.5-9.8 18 -9	S1	155 (F)	マツセル N1.2	IP55	JISC4213	IC411	
A M P	RATING	INSUL	COLOR	PROTECTION	RULE	COOLING	
89.7/89.5 90.0%	IE3/IE3 IE3						
E F F	IE CODE						
						D-END	6308ZZ
						N-END	6207ZZ
						BEARING	

CUSTOMER : _____ W. OD. _____

VIA : _____ ORDER NO. _____

APPLICATION : _____ W. NO. Y0094

	DATE	NAME	APPROVED		Fuji Electric Co., Ltd.
DRAWN					
CHECKED					
				DWG. NO	YH548197