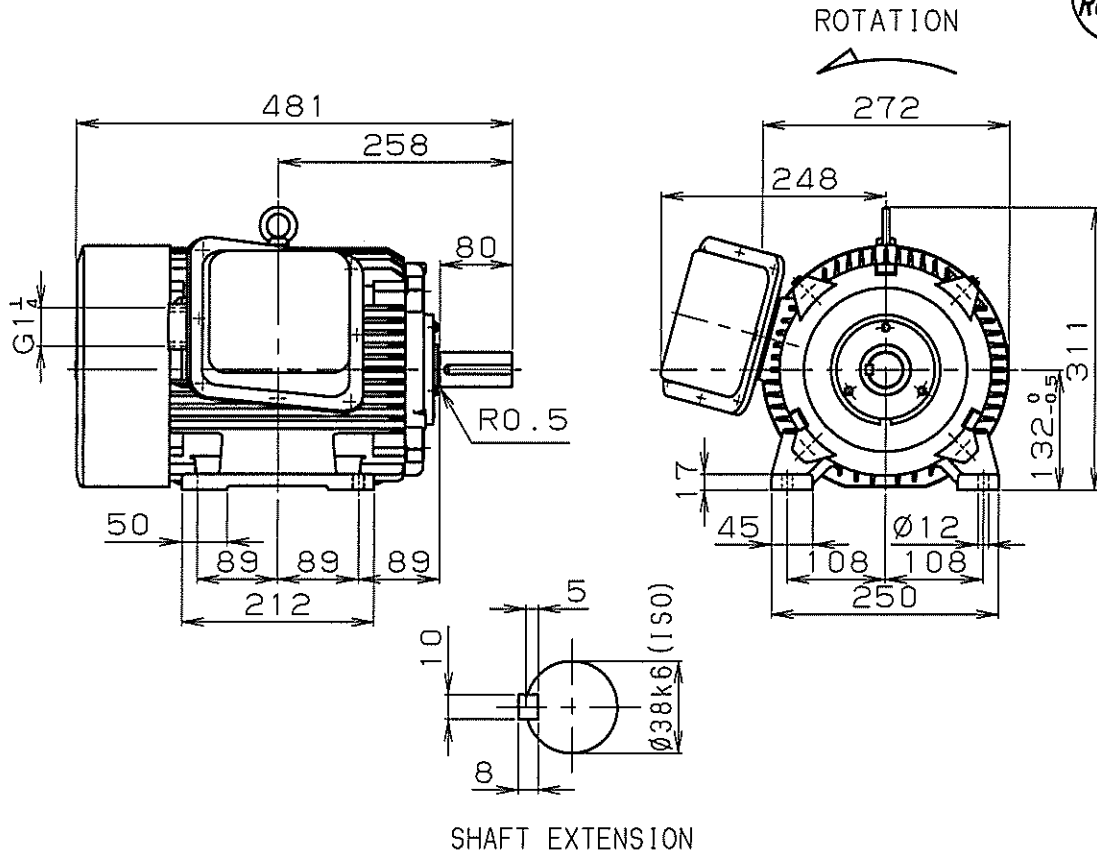


# INDUCTION MOTOR (OUTDOOR USE)

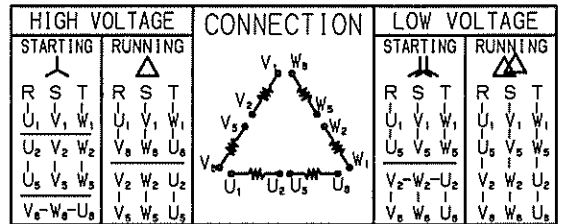
RoHS

TOP  
RUNNER



ROTATION

DIMENSIONS IN mm



MLU1135B	132M	6	3	5.5kW	200-400/200-400 220-440	50/60	975/1170 1175
TYPE	FRAME	POLES	PH	OUTPUT	VOLT	Hz	min <sup>-1</sup>
25.5-12.5/22.5-11 22 -11	S1	155 (F)	マンセル N1.2	IP55	JISC4213	IC411	
A M P	RATING	INSUL	COLOR	PROTECTION	RULE	COOLING	
88.8/91.0 91.1%	IE3/IE3 IE3				D-END	6308ZZ	
E F F	IE CODE				N-END	6207ZZ	
					BEARING		

CUSTOMER :	W. OD.
VIA :	ORDER NO.
APPLICATION :	W. NO.      Y0120

	DATE	NAME	APPROVED		Fuji Electric Co., Ltd.						
DRAWN					YH548249						
CHECKED											
				DWG. NO	<table border="1" style="border-collapse: collapse;"> <tr><td style="width: 20px; height: 20px;"></td><td style="width: 20px; height: 20px;"></td><td style="width: 20px; height: 20px;"></td></tr> <tr><td style="width: 20px; height: 20px;"></td><td style="width: 20px; height: 20px;"></td><td style="width: 20px; height: 20px;"></td></tr> </table>						