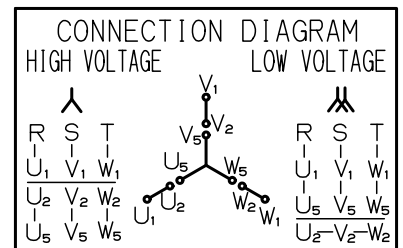
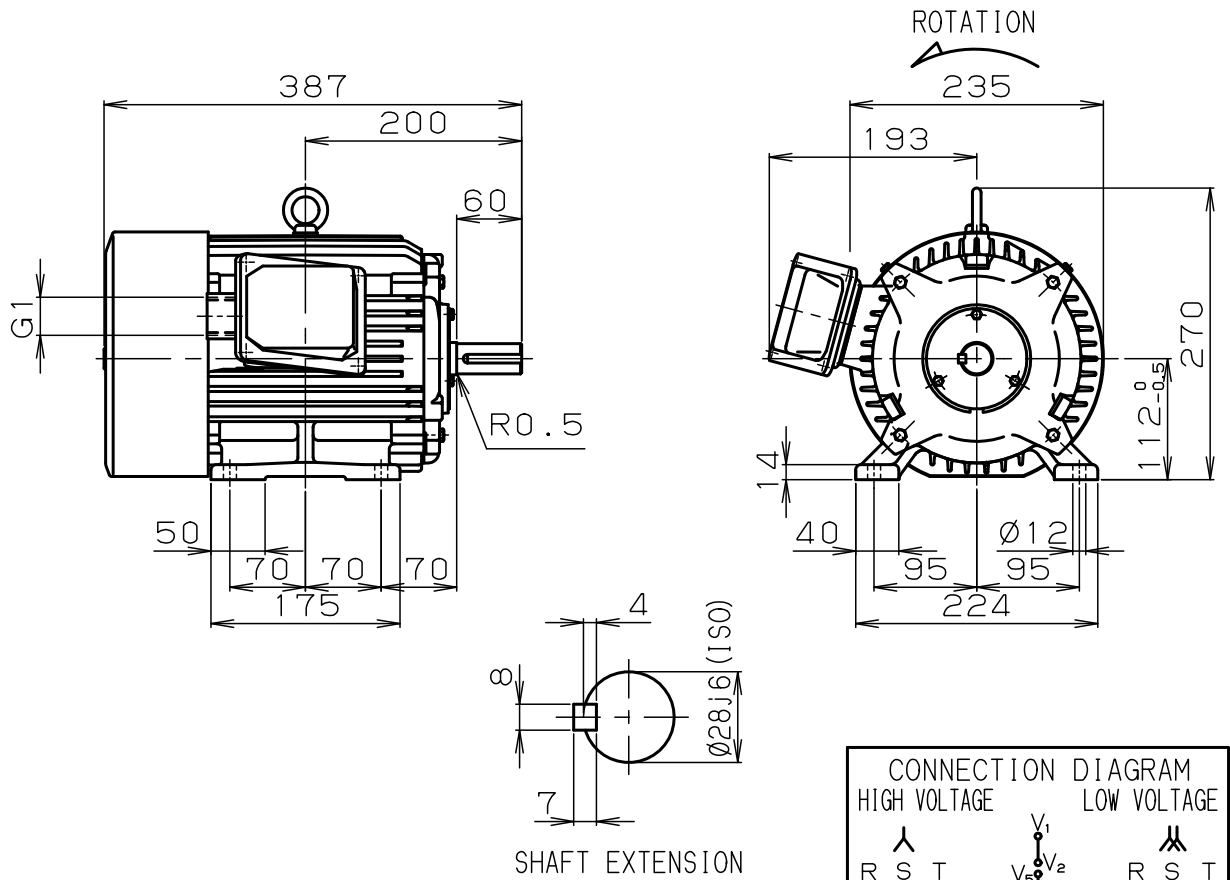


INDUCTION MOTOR (OUTDOOR USE)

RoHS

TOP
RUNNER



DIMENSIONS IN mm

MLU1115B	112M	6	3	2.2kW	200-400/200-400 220-440	50/60	975/1170 1175
TYPE	FRAME	POLES	PH	OUTPUT	VOLT	Hz	min ⁻¹
11-5.5/9.6-4.8 9.5-4.8	S1	155 (F)	マツセル N1.2	IP55	JISC4213	IC411	
A M P	RATING	INSUL	COLOR	PROTECTION	RULE	COOLING	
88.4/89.6 90.1%	IE3/IE3 IE3				D-END	6306ZZ	
E F F	IE CODE				N-END	6206ZZ	
					BEARING		

CUSTOMER : _____ W. OD. _____

VIA : _____ ORDER NO. _____

APPLICATION : _____ W. NO. YO118 _____

	DATE	NAME	APPROVED		Fuji Electric Co., Ltd.
DRAWN					
CHECKED					
				DWG. NO	YH548247

品番コード MLU1075